



Athletics Canada/Run Canada
Measurement Certificate

Name of the course Harris Blvd. 302.333 m Calibration Course Distance 302.333 m
Location (city) Winnipeg (province) MB
Type of course: road race calibration track Configuration: Point to Point
Type of surface: paved dirt _____ gravel _____ grass _____ track _____
Elevation (meters above sea level) 230 m
Straight line distance between start & finish 302.333m Drop 0 m/km Separation 100 %
Measured by (name, address, phone & e-mail) Laurent Lacroix 131 Sunnyside Blvd.
Winnipeg, MB, R3J 3M1 and James Slade and Randy Bannister
Contact (name, address & phone) _____

Measuring Methods: steel tape electronic distance meter

Number of measurements of entire course: two Date(s) when course measured: July 16/2012
Course paperwork submission date: July 20/2012

Replaces: _____ (if applicable) Certification code: _____


MB-2012-084-BDC

Be It Officially Noted That

Based on examination of data provided by the above named measurer, the course described above and in the map attached is hereby certified as reasonably accurate in measurement according to the standards adopted by the Road Running Technical Council. If **any** changes are made to the course, this certification becomes void, and the course must then be recertified.

Validation of Course — In the event a National Open Record is set on this course, or at the discretion of Athletics Canada/Run Canada, a validation remeasurement may be required to be performed by a qualified measurer. If such a remeasurement shows the course to be short, then all pending records will be rejected and the course certification will be cancelled.

AS NATIONALLY CERTIFIED BY:

 Date: July 20/2012
Bernard Conway - Athletics Canada/Run Canada National Certifier
- IAAF/AIMS Grade A Measurer
- USATF/RRTC Final Signatory

67 Southwood Crescent, London, Ontario, Canada, N6J 1S8

Phone: 519-641-6889 (H) Fax: 519-641-6889 E-mail: measurer@rogers.com

Harris Blvd. 302.333 m Calibration Course

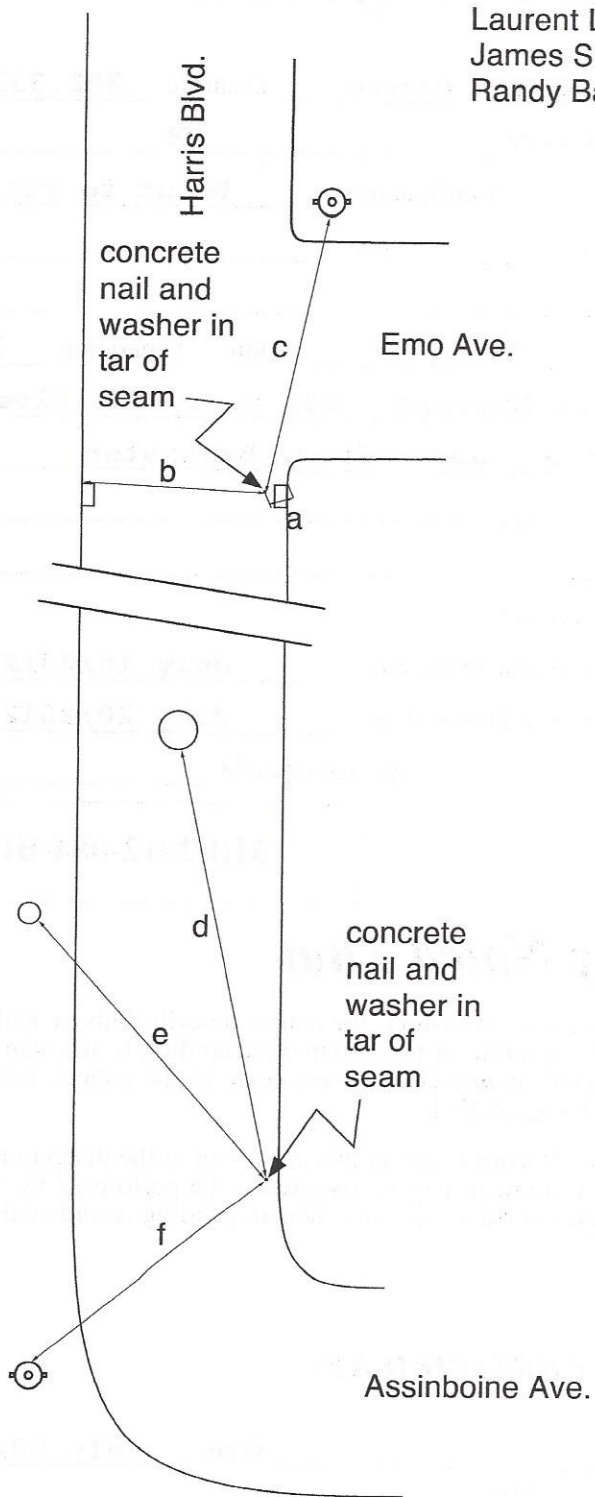
Winnipeg, MB

Measured July 16, 2012 by

Laurent Lacroix

James Slade

Randy Bannister



a - 0.955 m from north edge of sewer grate in curb

b - 6.330 m from north edge of sewer grate in curb on west side of the road

c - 24.885 m from fire hydrant at Emo and Harris

d - 53.100 m from manhole

e - 28.893 m from light standard

f - 41.190 m from fire hydrant at Assiniboine and Harris

MB-2012-084-BDC